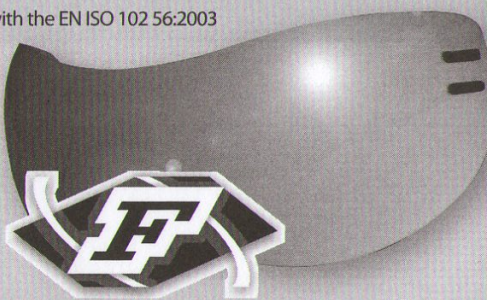


All these visors comply with the EN ISO 102 56:2003 and are certified from:  
 INSTITUTE FOR TESTING AND CERTIFICATION, a.s.  
 Trida T. Bati 299  
 764 21 Zlín, AO 224,  
 Notified body NO. 1023  
 Czech Republic



**FRONTIER®**



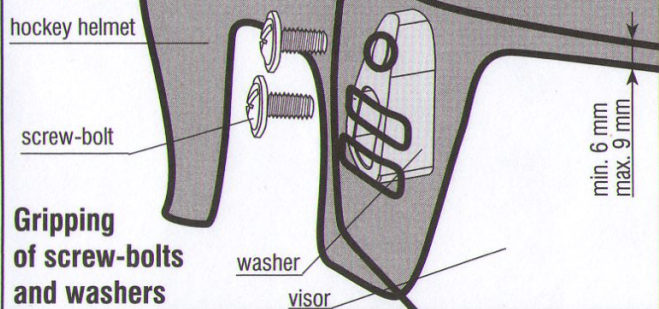
**EN ISO 102 56 Ice hockey players.  
 Category OOP II**

**PRODUCER:**

FRONTIER HOCKEY OÜ, Võiste 1, 86501 Pärnumaa ESTONIA  
 MADE IN EU

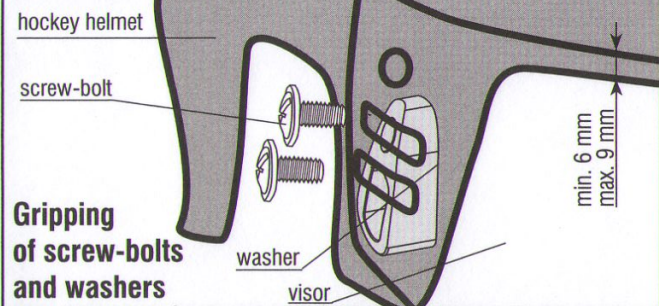
[www.frontierhockey.com](http://www.frontierhockey.com)

**Picture No. 1**



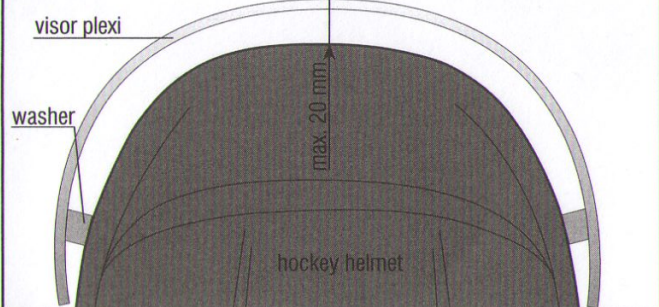
**Gripping of screw-bolts and washers**

**Picture No. 2**



**Gripping of screw-bolts and washers**

**Picture No. 3**



**ENGLISH**

**User manual:  
 protective plexi eye guard for ice hockey**

Prior to use and assembly of eye guards, please read the instructions for assembly and maintenance carefully.

**WARNING:**

Ice hockey is a dangerous contact sport. When playing hockey, you expose yourself to the risk of injury. This eye guard does not provide any protection against neck, spine or brain injuries, it only provides partial protection of the eyes and does not protect the mouth, teeth, jaw and lower part of the face. To decrease the risk, it is recommended to protect the entire face with a full face guard.

The helmet with an eye guard must be worn correctly and provided it is not worn in accordance with the manufacturer's instructions (e.g. it is tilted back), both eyes and face can be seriously and permanently damaged. It is necessary to devote due care to selecting the suitable combination of helmet and eye guard, which is comfortable, fits perfectly and is light. The eye guard must be checked and cleaned on a regular basis. The eye guard must be replaced, if it is damaged or exposed to a strong impact or other pressure, which could decrease its protective function. Upon disregarding this warning, serious injuries pose threat, including paralysis or death and even irrespectively of the protective properties of the eye guard.

**USE:**

This eye guard is intended for players aged 18 and up. It is not intended for the goalie. The eye guard can be attached to these types of helmets: CCM 652, CCM 1052, CCM V10, CCM V8, Easton S9, Easton S17, NBH 1500, NBH 3500, NBH 4500, NBH 5500, NBH 9500, RBK 4K, RBK 5K, RBK 6K, RBK 8K

**PURPOSE:**

The eye guard is designed to partially protect the eyes and upper part of the face of hockey players from injury upon fall, impact or blow and together with the helmet it helps protect the health of ice hockey players. This eye guard only provides partial protection of the eyes and does not protect the mouth, teeth, jaw and lower part of the face.

**ASSEMBLY:**

The eye guard is attached with the provided screws and nuts according to the drawing in the manual fig. 1. Use the original assembly set only, which is provided with the product.

Attach the eye guard to the helmet so that the openings in the guard fit the openings in the helmet perfectly. From the inside of the helmet we insert the nut so that the soft padding of the helmet does not cover the nut. On the nut protruding from the helmet we insert spacer R to the right side and L on the left side of the helmet, see fig. 1 and 2, which determines the distance between the helmet and the eye guard. The eye guard has to overlap the lower edge of the helmet with a tolerance of 6 - 9 mm, see fig. 1 and 2. The greatest distance between the helmet and the guard can be 20 mm, fig. 3. The guard must not be attached closer than 10 mm and further than 60 mm from the user's face. The guard must not be tilted up and must be adjusted as shown in figure 1 and 2. Gradually tighten all four screws, avoid excessively tightening the screws because this can damage components and thereby, the eye guard can become functionless prematurely. When using the screwdriver, pay special attention to not scratching the surface of the guard.

**MAINTENANCE :**

This product demands maintenance, which consists of cleaning and checking the eye guard. It is necessary to maintain the eye guard clean and to check it on a regular basis for any possible damage to the guard. The eye guard must be replaced if it has been damaged, or exposed to a strong impact or other pressure, which could decrease its protective function. Do not use a colour prints or stickers. Do not use any chemical concentrates or other solutions for cleaning, otherwise the guard will be damaged permanently and its functionality will be decreased.

**FRONT-LINE:**

Protectors marked as Front-Line, have a surface that has been treated with special technology. Anti-fog and anti-scratch micro-layers have been applied to the outer, likewise, the inner side. These are hard materials with a thickness of 5 microns 0.005 mm, which are permanently applied to the protector. These materials cannot be washed by water, but can be damaged by solvents and various chemicals, therefore, never use any other substance for cleaning, other than the one specified in the manual.

**CLEANING EMULSION IN SPRAY**

This cleaning emulsion is for cleaning and polishing the surface of eye protectors regarding the ice hockey, marked by Front Line. Apply this emulsion with a spray for both sides of protectors in a distance of 25 cm. Then only dry with a soft cloth, you can also possibly use a paper napkin. After ingestion the emulsion rinse it down with a higher amount of water and in case of having a nausea find a doctor. Date of issue and date of expiry are stated on the label of a product.

Ingredients: 10% active anion surfactant, 10% unactive unionic surfactant, H<sub>2</sub>O 80%. Made in EU.  
 Product is not classified like dangerous substance. SECURITY DOCUMENT No. HS0001/09.